

Since 1968

COMMAX
SmartHome & Security

User Manual

Color Video Door Phone CDV-43N



www.commax.com

COMMAX Co.,Ltd.



- Thank you for purchasing COMMAX products.
- Please carefully read this User's Guide (in particular, precautions for safety) before using a product and follow instructions to use a product exactly.
- The company is not responsible for any safety accidents caused by abnormal operation of the product.

Table of Contents

1. Greetings	1
2. Warnings and Cautions	2
3. Part Names and Functions	4
4. Operation	5
5. Installation	7
6. Wiring and Connection Instructions.....	8
7. Extension of Monitors	9
8. Package Contents	10
9. Specifications and Features	11
10. Safe Operation Guide	11

1. Greetings

- Thank you for Purchasing COMMAX Products
- Please carefully read this User's Manual (in particular, precautions for safety) before using a product and follow instructions to use a product exactly.



2. Warnings and cautions

◎ Make sure to follow the instructions to prevent any danger or property losses.

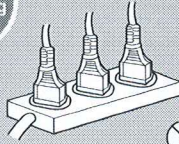


Warning Death or serious injury is expected.

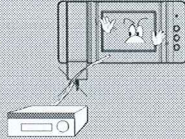
- It indicates prohibition.
- It indicates prohibition of disassembly.
- It indicates prohibition of contact.
- It indicates dos and don'ts.
- It indicates that the plug should be pulled out from the socket.



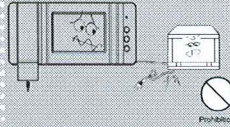
Warning



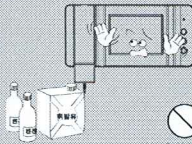
Do not put the plug in the socket simultaneously.
It may generate abnormal heat or cause a fire.



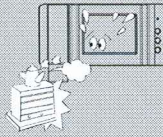
Do not connect to other products while in use.
It may cause breakdown.



Do not forcibly bend the cord or put a heavy object on the product.
It may cause a fire.



Do not use water, thinner or a detergent used to wash oil products when you wash the exterior.
Make sure to wash it by using a dry cloth to prevent any breakdown or electric shock.



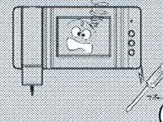
Do not install the product in a humid place.
It may cause an electric shock or a fire.



Do not forcibly pull out the cord from the socket.
If the cord is damaged, it may cause a fire or an electric shock.



Do not put the plug in the socket with a wet hand.
It may cause an electric shock.



Do not disassemble, repair or modify the product.
It may cause a fire, an electric shock or an injury due to malfunction of the product.



Do not use AC circuit breaker.
It may cause an electric shock.



Caution An injury or property losses are expected



It indicates prohibition.



It indicates prohibition of disassembly.



It indicates prohibition of contact.

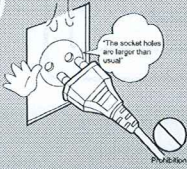


It indicates dos and don'ts.

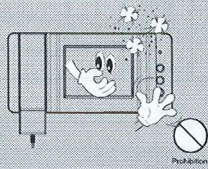


It indicates that the plug should be pulled out from the socket.

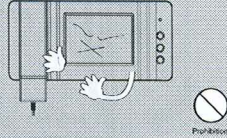
Caution



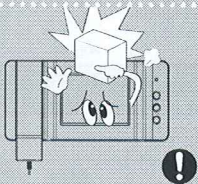
If the socket holes are larger than normal, do not put the plug.
It may cause an electric shock or a fire.



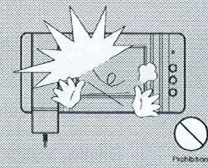
Make sure that dust or foreign substances are not gathered on the product.



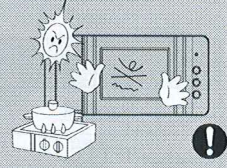
Make sure to prevent foreign substances from entering the product.
It may cause a breakdown.



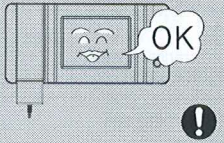
Do not put a heavy object on the product.
It may cause a breakdown.



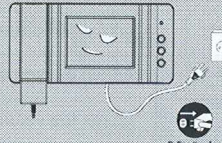
Do not disassemble or give an impact to the product.



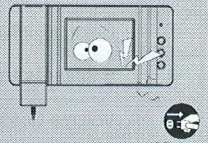
Avoid direct rays of the sun or heating devices at a time of installation.



Install the product in a flat and stable place.
Otherwise, it may not function properly.



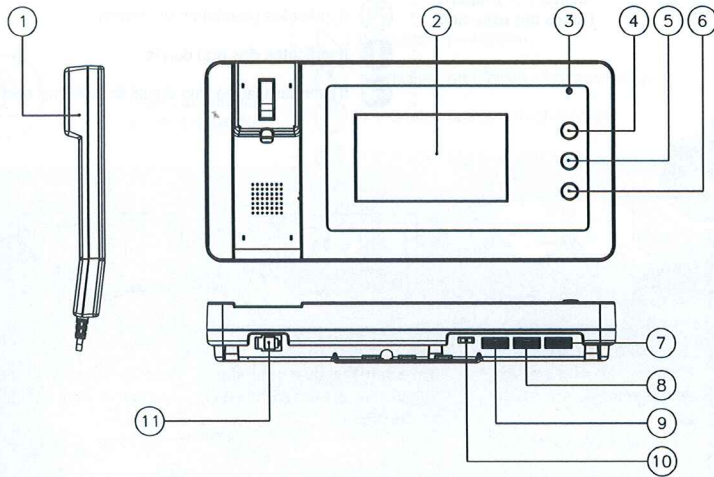
Pull the plug if the product is not used for a long time.



If the product generates strange sound, make sure to pull the plug immediately and contact Commax service center.



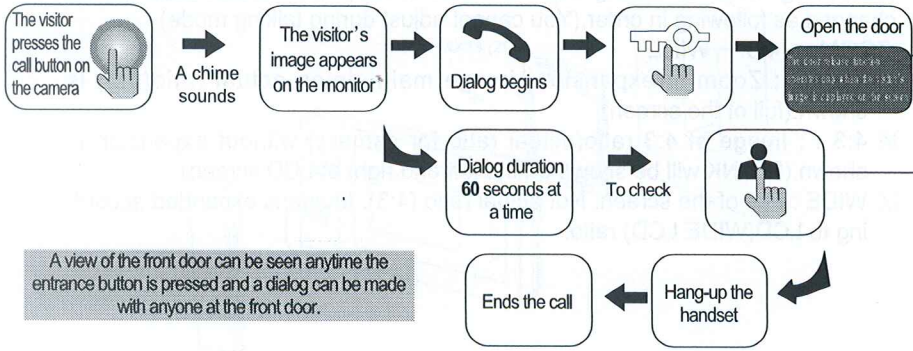
3. Parts Names and Functions



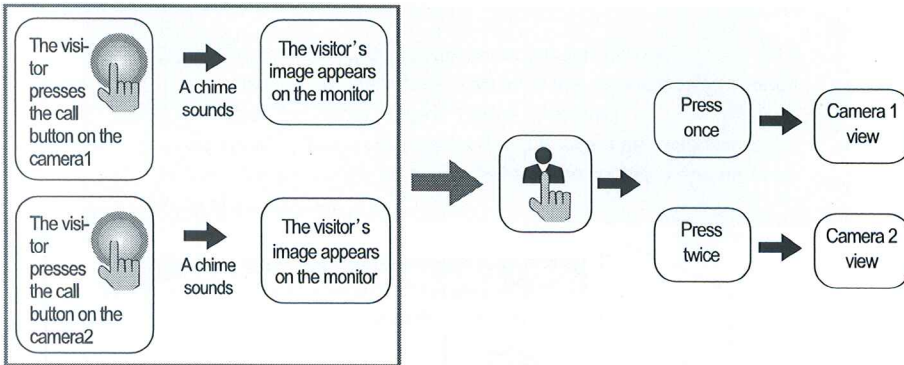
No.	Part Name	Description
1	Handset	Handset receiver
2	TFT-LCD	Display visitor's image
3	Power LED	Power indicator
4	Monitoring button	Screen view of door cameras
5	Interphone button	Call an interphone
6	Door open button	Open the door
7	Color adjuster	Adjust the screen color
8	Brightness adjuster	Adjust the screen brightness
9	Volume Controller	Adjust the volume of incoming call
10	Power on/off switch	
11	Handset connection	Plug in handset to this jack after jack monitor installation

4. Operation

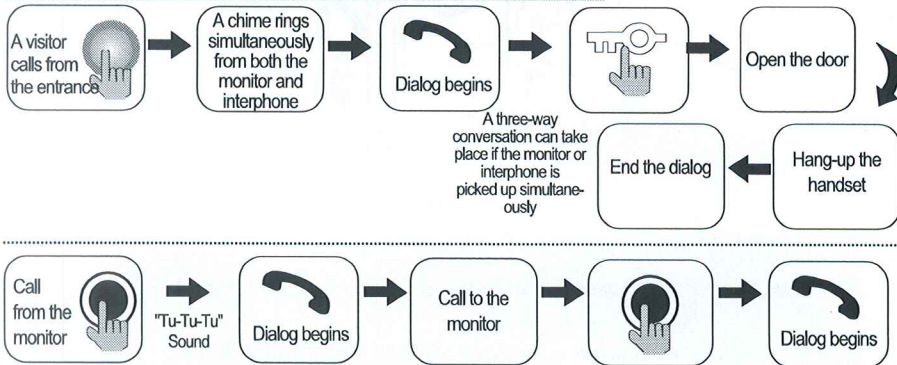
1. Calling of visitor



* In case of connecting two cameras



2. Communication with the optional Interphone



Dialog between the interphone and camera is possible only when the visitor's image is visible on the monitor screen.

*** Setting screen mode**

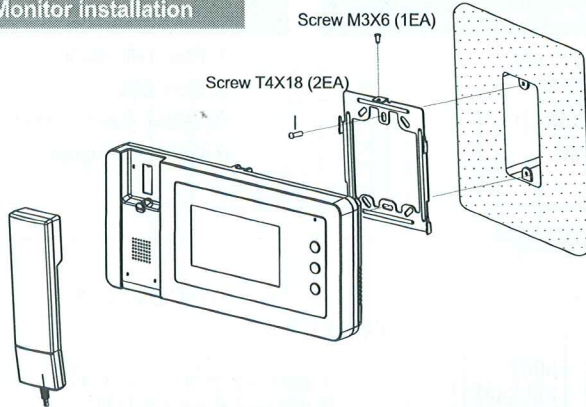
to select the proportion of image marked in the screen.

- By pressing INTERPHONE BUTTON (screen setting button) repeatedly during monitoring mode or calling door entrance mode, the screen ratio will be changed as following in order.(You cannot adjust during talking mode)
ZOOM → 4:3 → WIDE
- ※ ZOOM : Zoom in(expansion) image maintaining actual ratio(4:3) is shown.(full of the screen)
- ※ 4:3 : : Image of 4:3 ratio(actual ratio for camera) without expansion is shown.(BLANK will be shown on the left and right of LCD screen)
- ※ WIDE : Full of the screen. Not actual ratio (4:3). Image is expanded according to LCD(WIDE LCD) ratio.



5. Installation

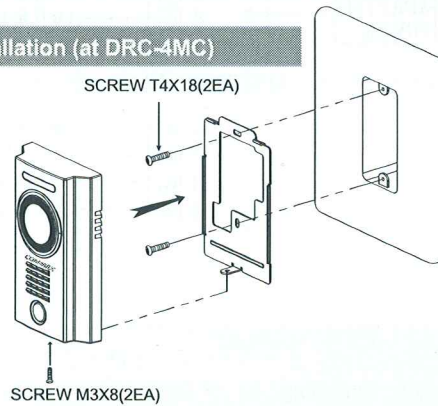
▷ Monitor Installation



* Note

- Avoid installing the product in the area of direct sunlight.
- The position of the unit's body should fit the standard height range (Recommended height range is 1450 ~ 1500mm.)
- Avoid installing the product exposed to gas exposure, magnetic force, in humid temperatures, as it may damage the condition and performance of the product.

▷ Camera Installation (at DRC-4MC)



* Note

- Do not install a door camera in the area exposed to direct sunlight or backlight.
- Please keep the lens clean for the clearest image reflection.



6. Wiring and Connection Instructions.

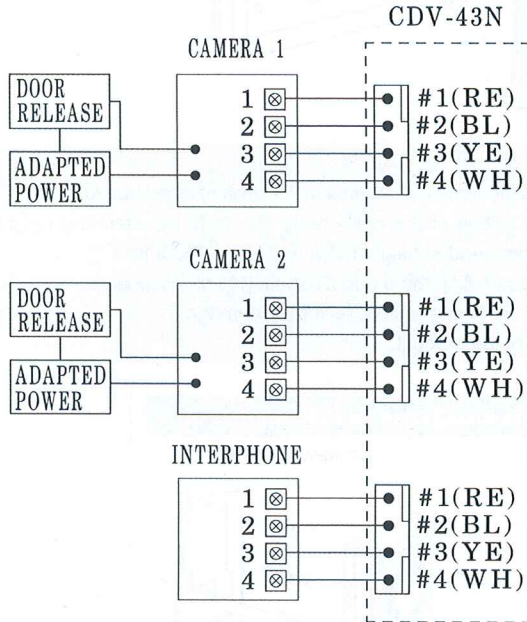
▷ Polarity of the camera connector

1. Red: Talk (Audio)
2. Blue: GND
3. Yellow: Power (+12V)
4. White: Video

▷ Polarity of Interphone connector

1. Red: Talk (Audio)
2. Blue: GND
3. Yellow: Power (+14V)
4. White: Call signal

CDV-43N

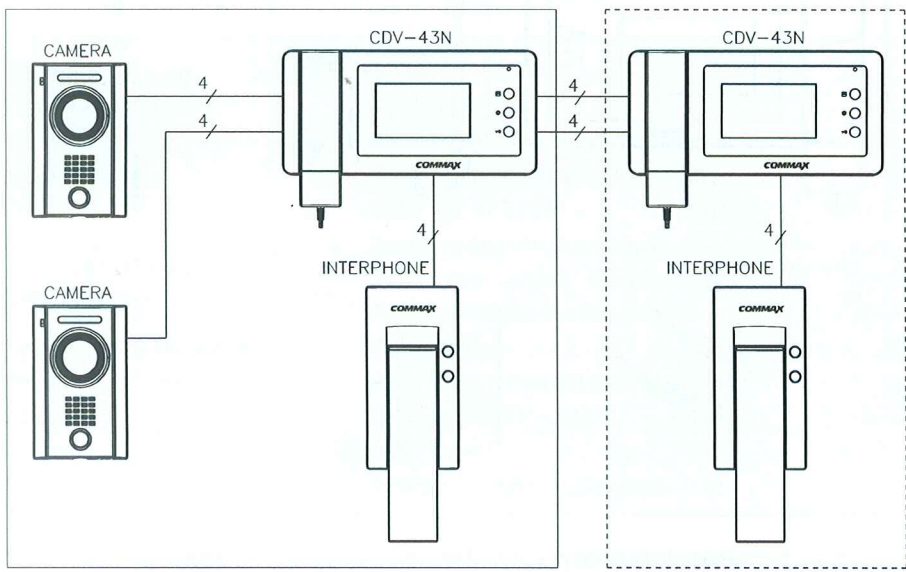


* Note

1. In case, if there is a high-voltage power line in the area of installation, use metal tube coaxial cable for wiring
2. Beware of wrinkling of line coating and cable stick-outs as it may cause circuit shortage and operation inconvenience.
3. When connecting a monitor with a camera, make sure power switch is turned off.



7. Extension of monitors

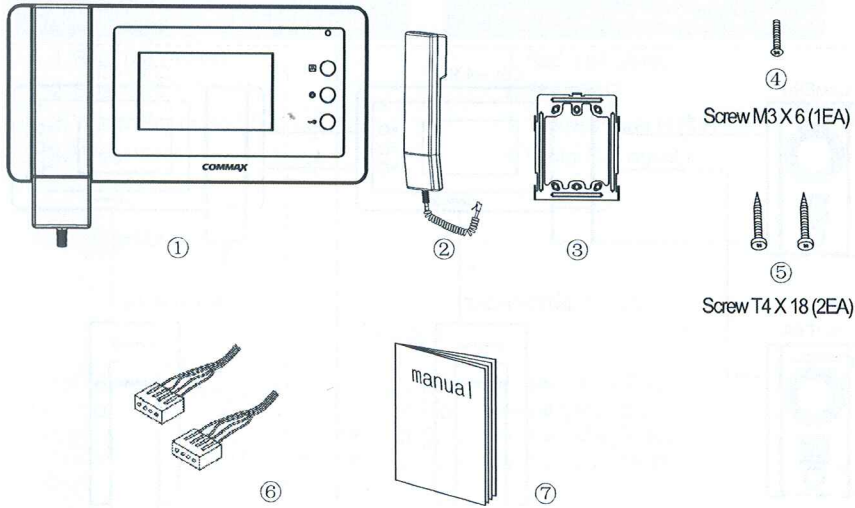


* Extendable

* When adding a second monitor, visual and audio quality of video may deteriorate



8. Package Contents



① Monitor(CDV-43N)	_____	1EA
② Handset	_____	1EA
③ Wall bracket for monitor	_____	1EA
④ Monitor fixing screw	_____	1EA
⑤ Wall bracket mounting screw	_____	2EA
⑥ Connector (4P)	_____	2EA
⑦ User Manual	_____	1EA



9. Specifications and Features

CDV-43N

Rated Voltage	100-240V~, 50/60Hz
Power Consumption	Operating : 15W
Wiring	4 wires with door camera (Polarity), 4 wires with an Interphone (Polarity)
Screen Size	Color 4.3" TFT LCD
Communication	Simultaneous communication
Call Sound	From a door camera : Electric chime From an interphone : Beep sound
Time to display the screen	60 ± 10sec
Distance from camera	28m(Φ0.5) / 50m(Φ0.65) / 70m(Φ0.8)
Operating Temperature	0 ~ +40°C (32°F ~ 104°F)
Weight	2kg
Dimension	259(W)× 158(H)× 52(D)mm

Reference : Design and functions of the product are a subject of constant development as a pursuit of quality improvement



10. Safe Operation guide

- Make sure to turn on the product
- In case if physical damage or operation failure is detected, do not hesitate to contact Service Center
- All electric power must be blocked by the building blocking device
- Do not place water bottles or flowerpots upon the product
- Please, turn the power off when installing or repairing the product



Memo